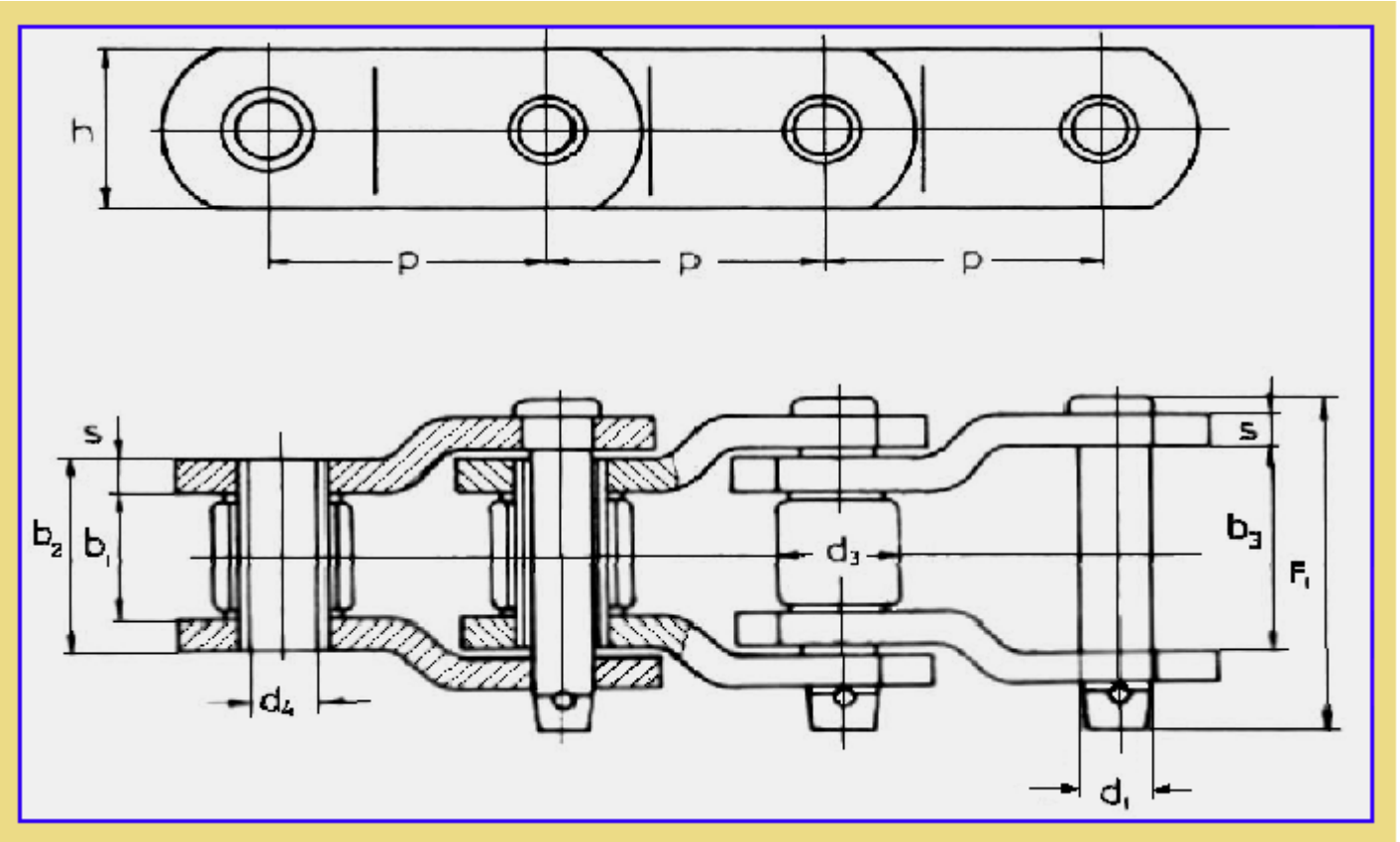


DIN 8182 API ZİNCİRİ



p mm.	b_1 min.	b_2 mm.	b_3 min.	d_3 mm.	d_1 mm.	d_4 min.	h mm.	s mm.	Kop.Yükü N	q kg/m
31.75	19.05	26.95	27.95	19.05	9.52	9.60	30	4	109.000	4.35
50.8	31.75	47.75	48.75	22.22	11.10	11.20	36	5	154.000	5.65
63.5	38.1	54.38	54.51	25.40	12.70	12.85	42	5.5	208.000	7.51
50.8	31.75	44.75	45.75	28.57	14.28	14.50	48	6.5	263.000	9.2
50.8	31.75	47.75	48.75	28.57	15.30	15.50	42	8	295.000	10.4
63.5	38.1	54.38	54.51	31.75	15.90	16.00	47	8	270.000	13
66.27	38.57	50.57	51.57	38.10	19.05	19.30	55	9	500.000	17.0
76.2	33.3	51.3	52.3	38.10	19.05	19.25	55	9	500.000	17
77.9	39.6	59.13	59.26	41.28	19.08	19.20	60	10	400.000	19
78.1	38.1	55.2	55.4	31.75	16.00	16.20	40	8	320.000	10
78.1	38.1	54.1	55.1	31.75	16.00	16.20	40	8	320.000	11.6
78.1	38.1	56.1	57.1	31.75	16.50	16.70	42	9	365.000	13.2
79.37	41.27	59.27	60.27	41.27	20.32	20.50	55	9	500.000	16.4
88.9	38.1	64.1	65.1	41.27	22.00	22.20	55	13	640.000	23.5
88.9	38.1	64.01	64.14	44.45	22.25	22.4	60	13	600.000	25.5
103.2	49.2	76.2	76.8	44.45	22	22.3	55	13	620.000	22
103.45	49.3	78.28	78.41	45.24	23.85	24.1	60	15	700.000	28
114.3	52.3	81.46	81.58	57.15	27.97	28.15	75	15	860.000	38.5
127	69.8	102.39	102.5	63.6	31.78	32.1	90	17	1.100.000	52
152.4	76.2	115.09	115.21	76.2	38.13	38.5	100	20	1.600.000	70
117.8	82.6	127.7	127.91	86.9	44.48	44.9	130	22	2.100.000	95